

GSD-160 Recessed Handle

Features

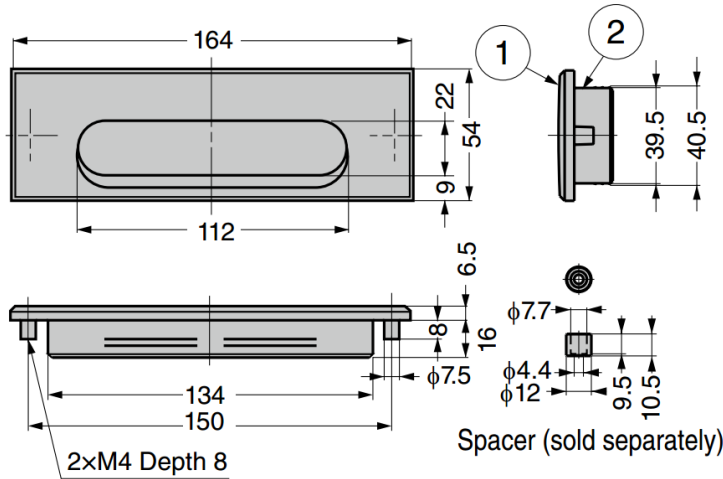
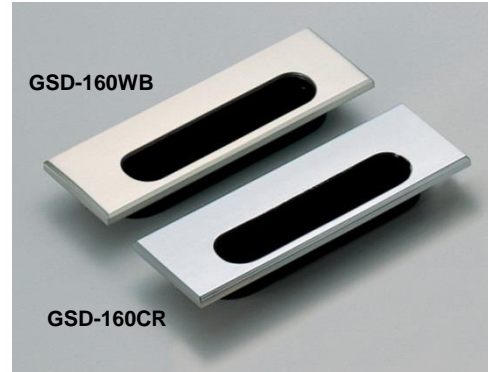
- Available in white bronze plating or chrome finish

Parts Included

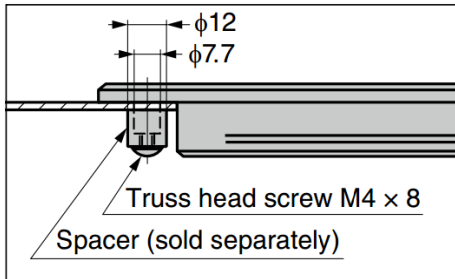
- Truss head screw M4×28 (for wood)

Notes

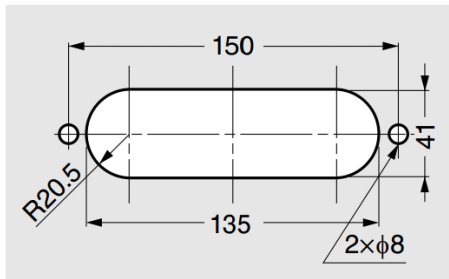
- Recommended screws: Truss head screw M4 x 8
- Spacer **GBSP-8** sold separately



Installation



Cut Out Dimensions



Body

Part No.	Finish
GSD-160WB	White Bronze Plating
GSD-160CR	Chrome

No.	Part Name	Material	Finish / Colour
①	Body	Zinc Alloy (ZDC)	White Bronze Plating, Chrome
②	Cup	ABS	Black

Spacer (Sold Separately)

Part No.	Material	Finish
GBSP-8	Steel (SUM)	Coloured Zinc Chromate